

H-PRD4 Series

35 MPa PRESSURE RELIEF DEVICES (PRD's)

Key Features

Wide array of high flow pressure relief devices (PRD) available for 350 bar (35 MPa) hydrogen applications. This includes both end plug and remote-activated PRD's for longer tank systems.

Various PRD models to include optional temperature sensors, as well as accounting for thread compatibility with different cylinder interfaces (M25, 1-1/8", 2" and remote).

The family of H-PRD4 products all use the same PRD activation design and are commonly paired with the appropriate GFI tank valve to provide complete coverage of a tank for bonfire testing and thermal event protection.

- Nominal working pressure of 350 bar
- Various tank thread geometries available (M25, 1-1/8", 1-1/2", and 2")
- Pipe away TPRD 110 °C ± 5 °C
- Working temperature -40 °C to +85 °C
- High flow and fast activating design
- Cadmium-free eutectic technology
- Light-weight aluminum design
- Compliant/approved to HPRD1, EC 79, and/or GB35544 (depending on model)
- Optional internal temperature sensor with integrated electrical connector
- Remote PRD variations have inlet, vent and outlet ports for daisy-chaining on long tanks (final PRD would only have an inlet port and vent port)



SPECIFICATIONS

H-PRD4 Series

GENERAL INFORMATION

APPLICATION	Suitable for all hydrogen cylinders Type 1 / Type 2 / Type 3 / Type 4
DESIGN	Thermally activated PRD
BODY MATERIAL	Aluminum, anodized
FUEL TYPE	Hydrogen per SAE J2719 and ISO 14687

PERFORMANCE

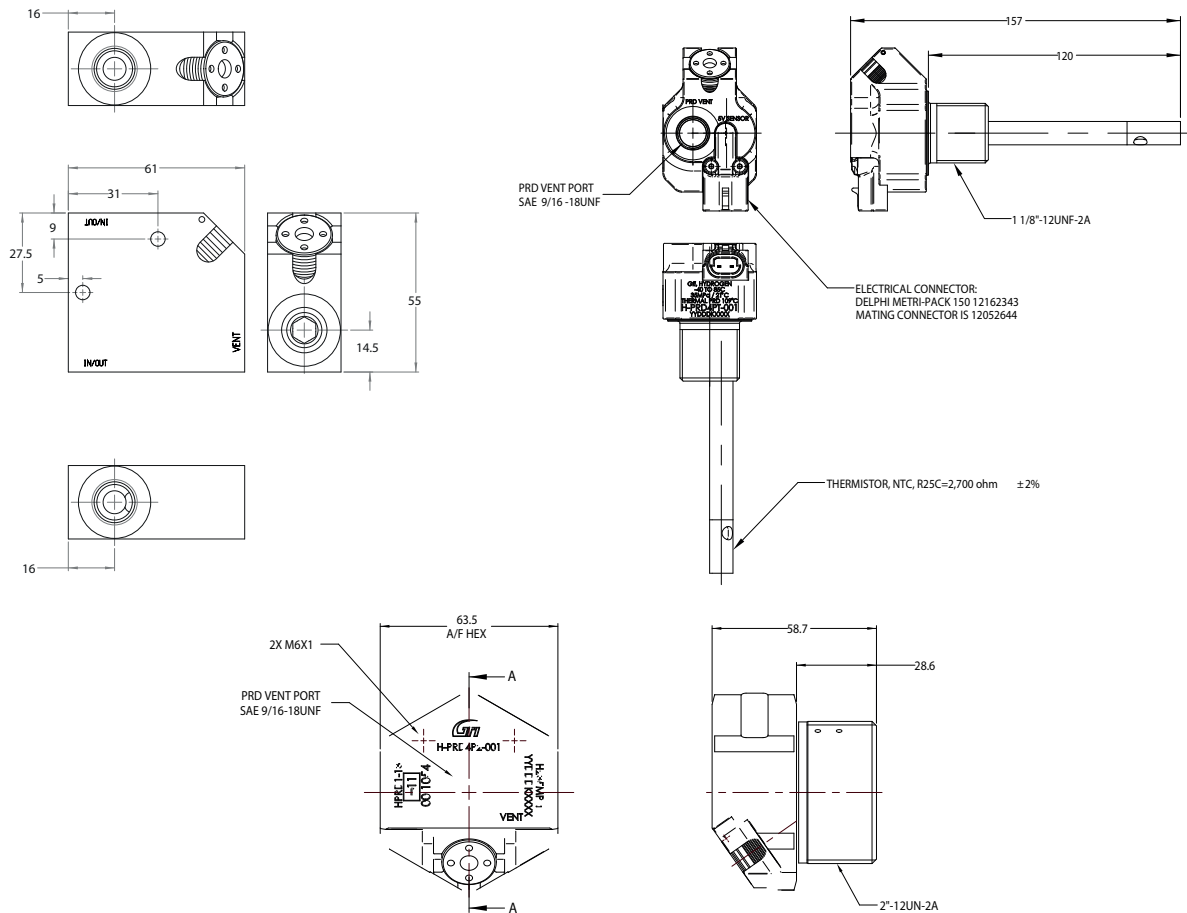
NOMINAL WORKING PRESSURE	35 MPaG
MAX WORKING PRESSURE	43.8 MPaG
WORKING TEMPERATURE	-40 °C to +85 °C
T-PRD OPERATION	110 ± 5°C
T-PRD ORIFICE	up to 5.7 mm equivalent diameter

CONNECTIONS / CERTIFICATIONS

CONFIGURATIONS	M25, 1-1/8", 1-1/8" with temperature sensor, 2", remote in-line and end-line (9/16-18 UNF-2B ports)
TPRD VENT PORT TYPE	9/16-18 UNF-2B, Indexible options
CERTIFICATIONS	Depending on model: EC79, HPRD1, GBT 35544, ECE R134 Pending

ELECTRICAL CONNECTIONS (FOR TEMPERATURE SENSOR OPTION)

ELECTRICAL CONNECTOR	Mating Connector: Aptiv part number 12052644
THERMISTOR R25C	2,700 ohms ± 2%
THERMISTOR TYPE	NTC



IATF 16949:2016 registered
a Westport Fuel Systems company

